

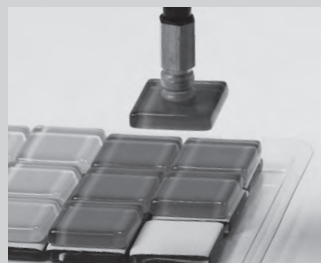
# 2 Bellows Cup



**2 bellows cup with thin lip**  
 For workpieces with the oblique surface or spherical surface, and when there is no space for attaching spring type fitting !



Workpieces with the oblique surface



Glass tips



Syringe

**Wide range of cup sizes.**

- φ2
- φ4
- φ6
- φ8
- φ10
- φ15
- φ20
- φ25
- φ30
- φ35
- φ40
- φ50
- φ60
- φ70
- φ80


**Various fittings for many kinds of applications.**



## Suction Cup

PJG		Cup size (mm) φ 2 ~ 80	P.337
-----	---	---------------------------	-------

## Fitting

Type	Applicable cup size (mm)	Stroke (mm)	Vacuum port	Piping · Connector	Page
Cup with compact fixed fitting PS-□ -J-F	 φ 2 ~ 50	N/A	Top	Female screw	P.341
Cup with compact fixed fitting PS-□ -J-M	 φ 2 ~ 50	N/A	Top	Male screw	P.341
Cup with fixed fitting PJTK	 φ 2 ~ 50	N/A	Top	Barb	P.345
	φ 60 ~ 80			Female screw	
Cup with fixed fitting PJYK	 φ 2 ~ 50	N/A	Side	Barb	P.345
	φ 60 ~ 80			Female screw	
Cup with compact spring fitting PSS	 φ 2, 4, 6, 8	3, 5	Top	Male screw	P.349
Cup with spring fitting NAPJTS	 φ 2, 4, 6, 8	3, 6	Top	Female screw Push-in Barb	P.351
	φ 10, 15	3, 10, 15			
	φ 20 ~ 50	6, 15, 30			
	φ 60 ~ 80	10, 30, 50		Female screw	
Cup with spring fitting NAPJYS	 φ 2, 4, 6, 8	3, 6	Side	Female screw Push-in Barb	P.351
	φ 10, 15	3, 10, 15			
	φ 20 ~ 50	6, 15, 30			
	φ 60 ~ 80	10, 30, 50		Female screw	
Cup with non-rotation spring fitting NAPJTH	 φ 2 ~ 15	3, 10, 15	Top	Female screw Push-in Barb	P.357
	φ 20 ~ 50	6, 15, 30			
Cup with non-rotation spring fitting NAPJYH	 φ 2 ~ 15	3, 10, 15	Side	Female screw Push-in Barb	P.357
	φ 20 ~ 50	6, 15, 30			
Mark free core CORE	 φ 6 ~ 80	—	—	—	P.363
Setting screw	 φ 2 ~ 50	—	—	—	P.503

### How to Order



PJG - ① 6 - ② N

#### ① Cup Size (mm)

Symbol	Cup size	Symbol	Cup size
2	φ2	30	φ30
4	φ4	35	φ35
6	φ6	40	φ40
8	φ8	50	φ50
10	φ10	60	φ60
15	φ15	70	φ70
20	φ20	80	φ80
25	φ25		

#### ② Cup Rubber Material

Symbol	Material
N	NBR(Nitrile rubber)
S	Silicone rubber
U	Urethane rubber
F	Fluorine rubber
NE	Conductive NBR (Nitrile rubber)
SE	Conductive silicone rubber

※Please consult with us for other material.

### Cup Rubber Material Standard Specifications

Symbol	Material	Hardness (A/s)	Ambient temperature (°C)	Color	Volume resistivity <sup>Note1,2</sup>
N	NBR (Nitrile rubber)	55	-26 ~ 120	Black	-
S	Silicone rubber	55	-60 ~ 250	Translucent white	-
U	Urethane rubber	55	-20 ~ 75	Blue	-
F	Fluorine rubber	70	-10 ~ 230	Black with white dot	-
NE	Conductive NBR (Nitrile rubber)	70	-26 ~ 120	Black with blue dot	10 <sup>2</sup> ~ 10 <sup>3</sup> Ω · cm
SE	Conductive silicone rubber	55	-60 ~ 250	Black with red dot	10 <sup>2</sup> ~ 10 <sup>4</sup> Ω · cm

Note1) Volume resistivity shows conductivity, resistance value is per cm<sup>3</sup>.  
 Note2) It is the measured value of in our designated test piece.

### Applicable Rubber Material Table

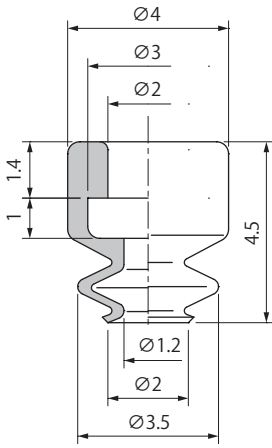
Material	Color	Symbol	Round type															
			2	4	6	8	10	15	20	25	30	35	40	50	60	70	80	
NBR (Nitrile rubber)	Black	N	●	●	●	●	●	●	●	●	●	●	●	●	●	●	●	
Silicone rubber	Translucent white	S	●	●	●	●	●	●	●	●	●	●	●	●	●	●	●	
Urethane rubber	Blue	U	●	●	●	●	●	●	●	●	●	●	●	●	●	●	●	
Fluorine rubber	Black with white dot	F	●	●	●	●	●	●	●	●	●	●	●	●	●	●	●	
Conductive NBR (Nitrile rubber)	Black with blue dot	NE	●	●	●	●	●	●	●	●	●	●	●	●	○	○	○	
Conductive silicone rubber	Black with red dot	SE	●	●	●	●	●	●	●	●	●	●	●	○	○	○		

● : In stock    ○ : Made to order    × : None  
 ※Please consult with us for other material.

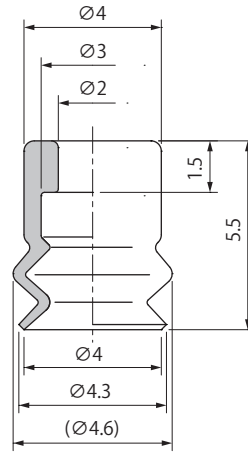
Dimensions

(mm)

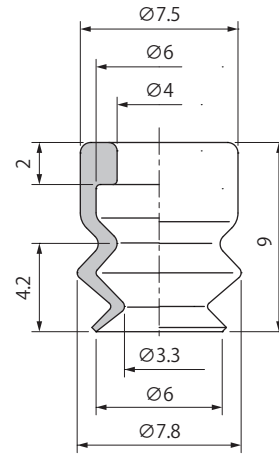
**PJG-2**



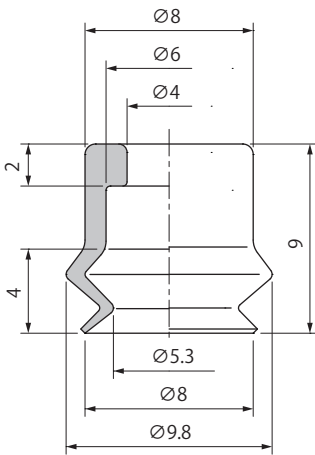
**PJG-4**



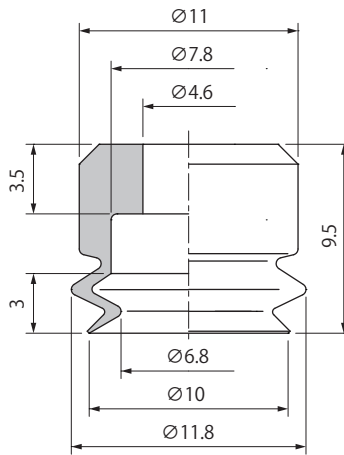
**PJG-6**



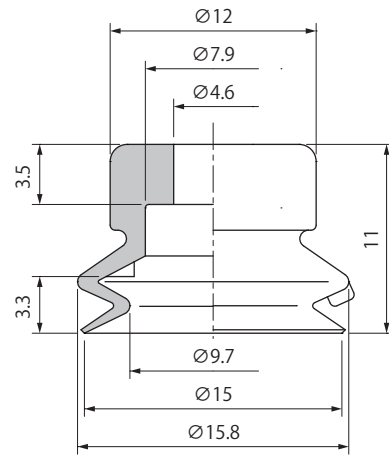
**PJG-8**



**PJG-10**



**PJG-15**



Weight

(g)

Model \ Material	N	S	U	F	NE	SE	Applicable setting screw (Screw specifications)
<b>PJG-2</b>	0.1	0.1	0.1	0.1	0.1	0.1	TN-PS-2A-M3 (Male M3X0.5) TN-PS-2A-M3F (Female M3X0.5)
<b>PJG-4</b>	0.1	0.1	0.1	0.1	0.1	0.1	TN-PS-2A-M5 (Male M5X0.8)
<b>PJG-6</b>	0.2	0.2	0.2	0.3	0.2	0.2	TN-PS-10-M5 (Male M5X0.8) TN-PS-10-M5F (Female M5X0.8)
<b>PJG-8</b>	0.3	0.3	0.3	0.4	0.3	0.3	
<b>PJG-10</b>	0.5	0.5	0.6	0.8	0.6	0.5	
<b>PJG-15</b>	0.8	0.8	0.9	1.3	0.9	0.8	TN-PF-15-M5 (Male M5X0.8)

※ Please refer to P.503 for setting screw detailed specifications.

Symbol	Material
<b>N</b>	NBR(Nitrile rubber)
<b>S</b>	Silicone rubber
<b>U</b>	Urethane rubber
<b>F</b>	Fluorine rubber
<b>NE</b>	Conductive NBR (Nitrile rubber)
<b>SE</b>	Conductive silicone rubber

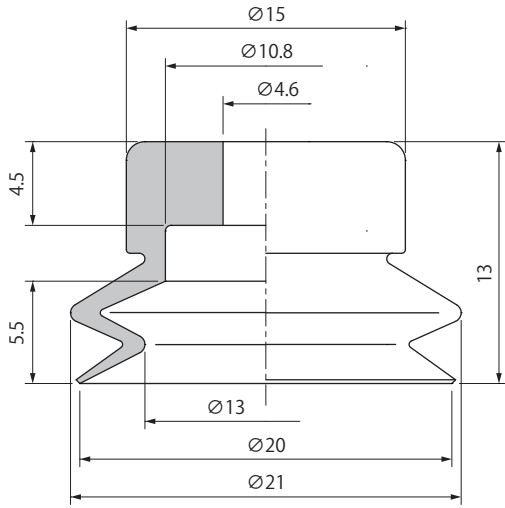
# PJG 2 Bellows Cup

Suction Cup 2 Bellows Cup

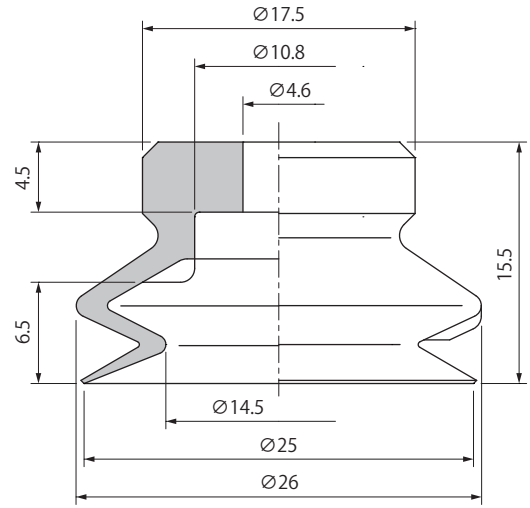
## Dimensions

(mm)

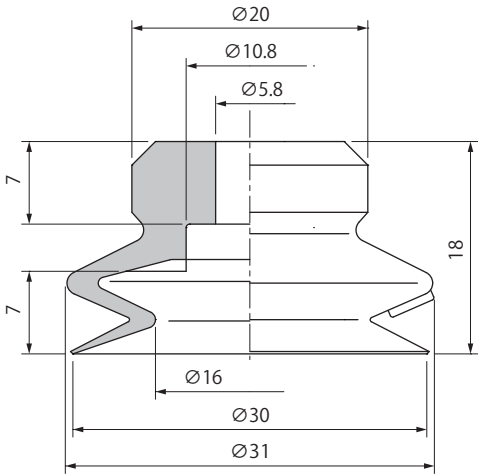
**PJG-20**



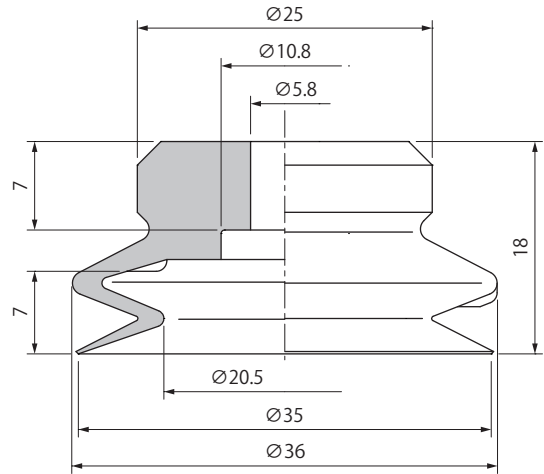
**PJG-25**



**PJG-30**



**PJG-35**



## Weight

(g)

Model \ Material	N	S	U	F	NE	SE	Applicable setting screws (Screw specifications)
PJG-20	1.6	1.6	1.7	2.5	1.7	1.6	TN-PF-20-M5 (Male M5X0.8)
PJG-25	2.7	2.7	2.9	4.4	2.9	2.7	
PJG-30	5.0	5.0	5.3	8.0	5.3	5.0	TN-PF-25-M6 (Male M6X1.0)
PJG-35	7.3	7.3	7.7	11.7	7.7	7.3	

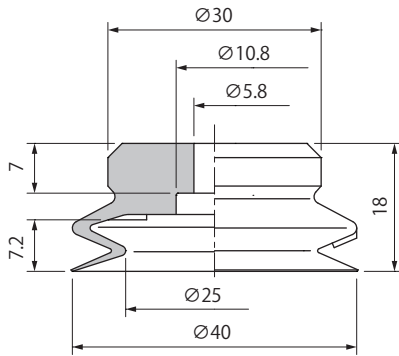
※ Please refer to P.503 for setting screw detailed specifications.

Symbol	Material
N	NBR(Nitrile rubber)
S	Silicone rubber
U	Urethane rubber
F	Fluorine rubber
NE	Conductive NBR (Nitrile rubber)
SE	Conductive silicone rubber

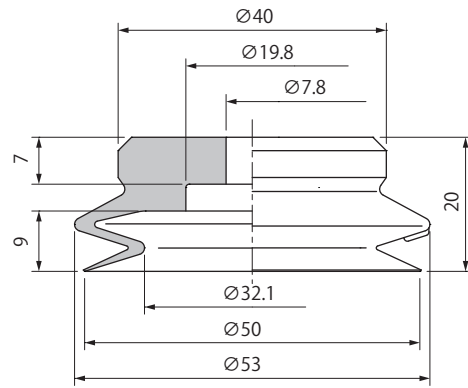
## Dimensions

(mm)

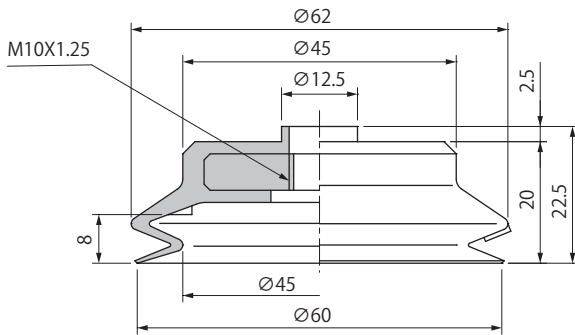
**PJG-40**



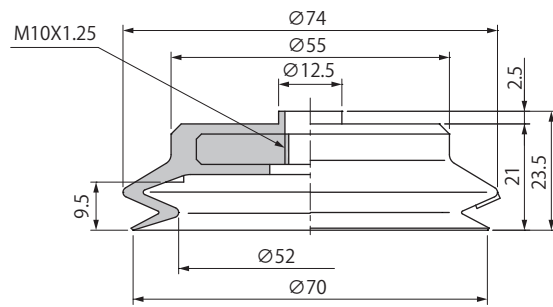
**PJG-50**



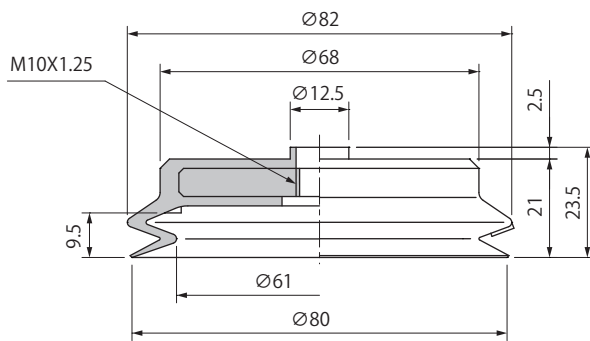
**PJG-60**



**PJG-70**



**PJG-80**



## Weight

(g)

Model \ Material	N	S	U	F	NE	SE	Applicable setting screws (Screw specifications)
PJG-40	10.0	10.0	10.5	16.0	10.5	10.0	TN-PF-25-M6 (Male M6X1.0)
PJG-50	19.1	19.1	20.1	30.6	20.1	19.1	TN-PF-50-M6 (Male M6X1.0) TN-PF-50-M8 (Male M8X1.25)
PJG-60	34.6	34.6	35.6	46.1	35.6	34.6	-
PJG-70	53.0	53.0	54.5	70.4	54.5	53.0	
PJG-80	78.0	78.0	79.8	99.0	79.8	78.0	

※ Please refer to P.503 for setting screw detailed specifications.

Symbol	Material
N	NBR(Nitrile rubber)
S	Silicone rubber
U	Urethane rubber
F	Fluorine rubber
NE	Conductive NBR (Nitrile rubber)
SE	Conductive silicone rubber

## PS Cup with Compact Fixed Fitting

### Male Screw



### Female Screw



Simple constitution of the cup and the screw.

#### φ2~8



Screw and the cup can be disassembled

Attach the cup directly to the screw



Model number	Cup	Setting screw	Screw size
PS-2-J-M- □	PJG-2- □	TN-PS-2A-M3	M3X0.5
PS-4-J-M- □	PJG-4- □		
PS-6-J-M- □	PJG-6- □	TN-PS-10-M5	M5X0.8
PS-8-J-M- □	PJG-8- □		

Model number	Cup	Setting screw	Screw size
PS-2-J-F- □	PJG-2- □	TN-PS-2A-M3F	M3X0.5
PS-4-J-F- □	PJG-4- □		
PS-6-J-F- □	PJG-6- □	TN-PS-10-M5F	M5X0.8
PS-8-J-F- □	PJG-8- □		

※□ in the table indicates the cup material.

#### φ10~50

Model number
PS-10-J-M- □ <sup>Note1</sup>
PS-15-J-M- □
PS-20-J-M- □
PS-30-J-M- □
PS-40-J-M- □
PS-50-J-M- □



R1/8

Screw and the cup are fixed

Screw and the cup can not be disassembled

Rp1/8 depth9



Model number
PS-10-J-F- □ <sup>Note1</sup>
PS-15-J-F- □
PS-20-J-F- □
PS-30-J-F- □
PS-40-J-F- □
PS-50-J-F- □

Note 1) Screw size is M5.

※□ in the table indicates the cup material.

### How to Order

PS - 6 - J - M - N

① Cup Size (mm)

Symbol	Cup size
2	φ2
4	φ4
6	φ6
8	φ8
10	φ10
15	φ15
20	φ20
30	φ30
40	φ40
50	φ50

② Screw Type

Symbol	Material
M	Male screw
F	Female screw

③ Cup Rubber Material

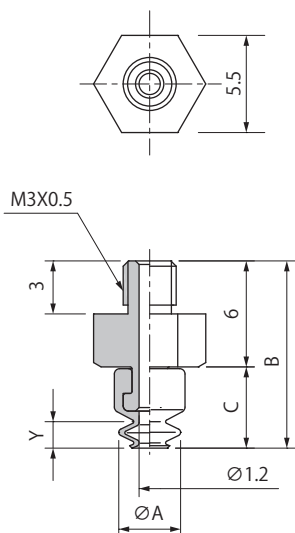
Symbol	Material
N	NBR(Nitrile rubber)
S	Silicone rubber
U	Urethane rubber
F	Fluorine rubber
NE	Conductive NBR (Nitrile rubber)
SE	Conductive silicone rubber

※Please consult with us for other material.

Dimensions

(mm)

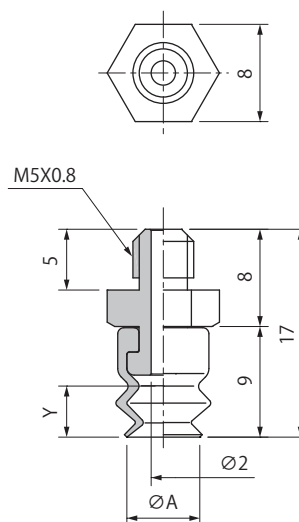
PS-2/4-J-M



Model number	A	B	C	Y	Weight (g)
PS-2-J-M-□	2	10.5	4.5	1.5	1
PS-4-J-M-□	4	11.5	5.5	2.4	

※□ in the table indicates the cup material.  
※ The weight value is when NBR (Nitrile rubber) selected.

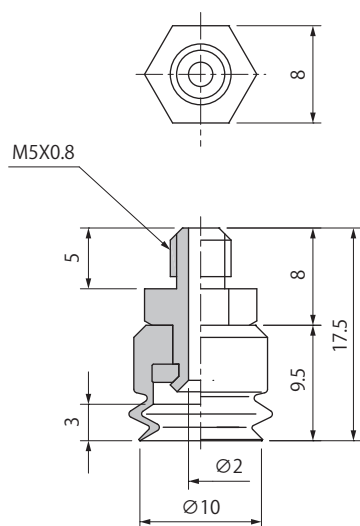
PS-6/8-J-M



Model number	A	Y	Weight (g)
PS-6-J-M-□	6	4.2	1.5
PS-8-J-M-□	8	4	

※□ in the table indicates the cup material.  
※ The weight value is when NBR (Nitrile rubber) selected.

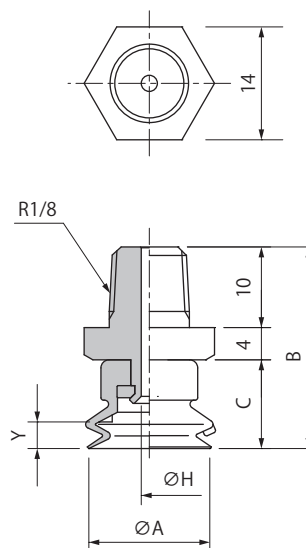
PS-10-J-M



Model number	Weight (g)
PS-10-J-M-□	7

※□ in the table indicates the cup material.  
※ The weight value is when NBR (Nitrile rubber) selected.

PS-15/20/30/40/50-J-M



Model number	A	B	C	H	Y	Weight (g)
PS-15-J-M-□	15	25	11	2	3.3	8
PS-20-J-M-□	20	27	13		5.5	9
PS-30-J-M-□	30	32	18	3	7	14
PS-40-J-M-□	40				7.2	16
PS-50-J-M-□	50	34	20		4	9

※□ in the table indicates the cup material.  
※ The weight value is when NBR (Nitrile rubber) selected.

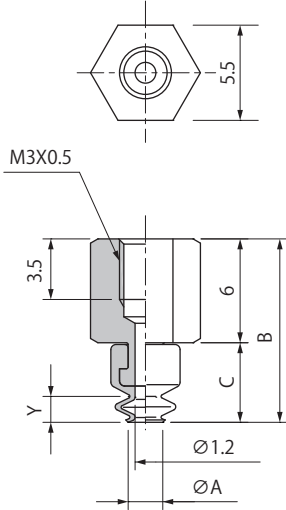


# PS Cup with Compact Fixed Fitting

## Dimensions

(mm)

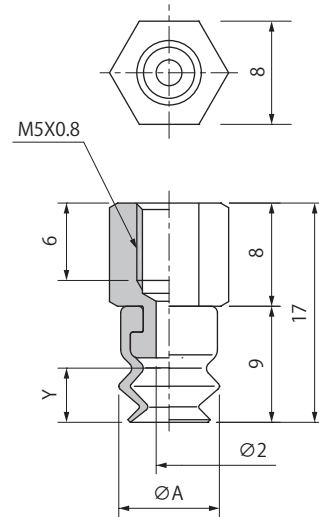
### PS-2/4-J-F



Model number	A	B	C	Y	Weight (g)
PS-2-J-F-□	2	10.5	4.5	1.5	1.5
PS-4-J-F-□	4	11.5	5.5	2.4	

※□ in the table indicates the cup material.  
 ※ The weight value is when NBR (Nitrile rubber) is selected.

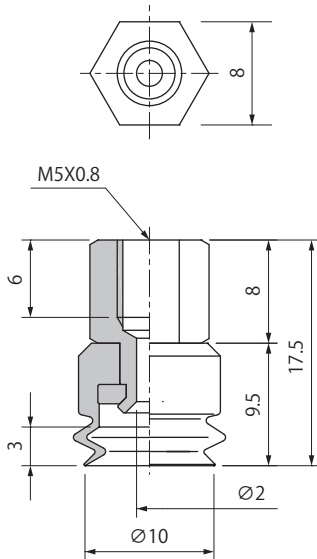
### PS-6/8-J-F



Model number	A	Y	Weight (g)
PS-6-J-F-□	6	4.2	2.5
PS-8-J-F-□	8	4	

※□ in the table indicates the cup material.  
 ※ The weight value is when NBR (Nitrile rubber) is selected.

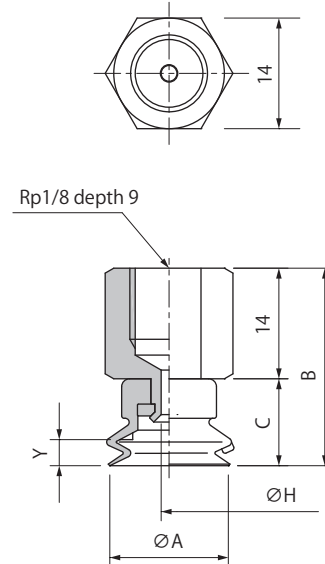
### PS-10-J-F



Model number	Weight (g)
PS-10-J-F-□	8

※□ in the table indicates the cup material.  
 ※ The weight value is when NBR (Nitrile rubber) is selected.

### PS-15/20/30/40/50-J-F



Model number	A	B	C	H	Y	Weight (g)
PS-15-J-F-□	15	25	11	2	3.3	8
PS-20-J-F-□	20	27	13		5.5	10
PS-30-J-F-□	30	32	18	3	7	15
PS-40-J-F-□	40				7.2	17
PS-50-J-F-□	50	34	20	4	9	27

※□ in the table indicates the cup material.  
 ※ The weight value is when NBR (Nitrile rubber) is selected.

## 02

Suction Cup

PA

PB

PC

PCD

PD

PF

PFO

PH

## PJ

CORE

PK2

PK2B

PK2L

PL

PN

PN-B

PP

PQ

PR

PU

PW

RA

SM

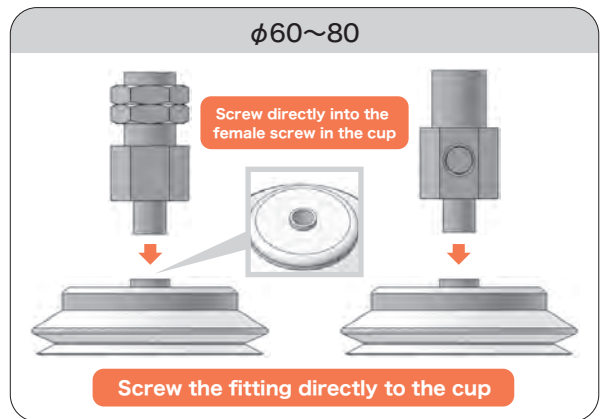
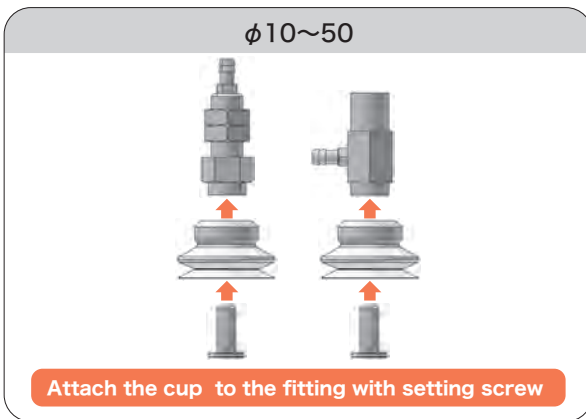
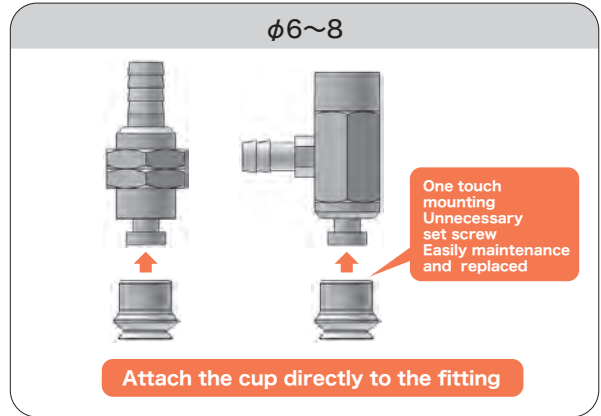
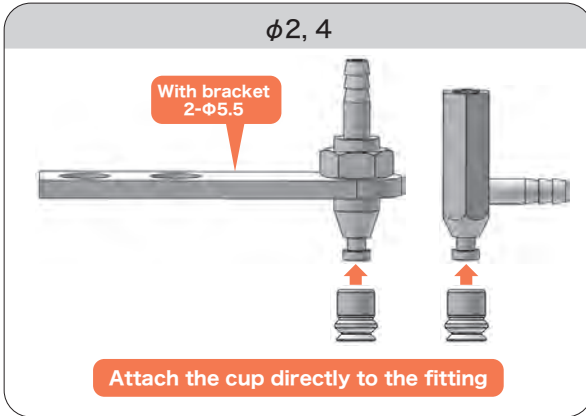
TN

# PJTK·YK Cup with Fixed Fitting

Suction Cup 2 Bellows Cup



Consisting of fitting, setting screw, suction cup.



## How to Order

PJ **T** K - **6** - **N**

① Vacuum Port

T	Top
Y	Side

② Cup Size (mm)

Symbol	Cup size	Symbol	Cup size
2	φ2	30	φ30
4	φ4	35	φ35
6	φ6	40	φ40
8	φ8	50	φ50
10	φ10	60	φ60
15	φ15	70	φ70
20	φ20	80	φ80
25	φ25		

③ Cup Rubber Material

Symbol	Material
N	NBR(Nitrile rubber)
S	Silicone rubber
U	Urethane rubber
F	Fluorine rubber
NE	Conductive NBR (Nitrile rubber)
SE	Conductive silicone rubber

※Please consult with us for other material.

02 Suction Cup

- PA
- PB
- PC
- PCD
- PD
- PF
- PFO
- PH
- PJ**
- CORE
- PK2
- PK2B
- PK2L
- PL
- PN
- PN-B
- PP
- PQ
- PR
- PU
- PW
- RA
- SM
- TN

## Combination Table

## Top Port

Model number	Cup	Setting screw	Fitting	Piping specifications		
PJTK-2- □	PJG-2- □	Attach the cup directly to the fitting	PFTK-1.5A-K	Barb	φ4X2.5	
PJTK-4- □	PJG-4- □		PFTK-5A-K			
PJTK-6- □	PJG-6- □		TN-PF-15-M5		PFTK-15-K	
PJTK-8- □	PJG-8- □					
PJTK-10- □	PJG-10- □	TN-PF-20-M5	PFTK-25-K		φ6X4	
PJTK-15- □	PJG-15- □					
PJTK-20- □	PJG-20- □	TN-PF-25-M6	PFTK-50-K			
PJTK-25- □	PJG-25- □					
PJTK-30- □	PJG-30- □	Screw the fitting directly into the female screw in the cup	PFTK-60-K			Rc1/8 (Female)
PJTK-35- □	PJG-35- □					
PJTK-40- □	PJG-40- □					
PJTK-50- □	PJG-50- □					
PJTK-60- □	PJG-60- □					
PJTK-70- □	PJG-70- □					
PJTK-80- □	PJG-80- □					

※□ in the table indicates the cup material.

## Side Port

Model number	Cup	Setting screw	Fitting	Piping specifications		
PJYK-2- □	PJG-2- □	Attach the cup directly to the fitting	PFYK-1.5A-K	Barb	φ4X2.5	
PJYK-4- □	PJG-4- □		PFYK-5A-K			
PJYK-6- □	PJG-6- □		TN-PF-15-M5		PFYK-15-K	φ6X4
PJYK-8- □	PJG-8- □					
PJYK-10- □	PJG-10- □	TN-PF-20-M5	PFYK-25-K			
PJYK-15- □	PJG-15- □					
PJYK-20- □	PJG-20- □	TN-PF-25-M6	PFYK-50-K			
PJYK-25- □	PJG-25- □					
PJYK-30- □	PJG-30- □	Screw the fitting directly into the female screw in the cup	PFYK-60-K		Rc1/8 (Female)	
PJYK-35- □	PJG-35- □					
PJYK-40- □	PJG-40- □					
PJYK-50- □	PJG-50- □					
PJYK-60- □	PJG-60- □					
PJYK-70- □	PJG-70- □					
PJYK-80- □	PJG-80- □					

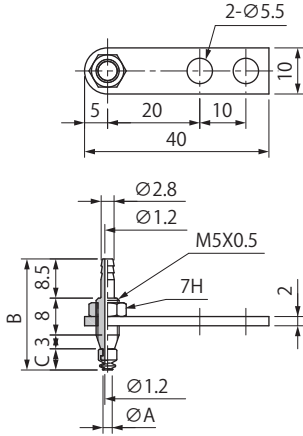
※□ in the table indicates the cup material.

# PJTK·YK Cup with Fixed Fitting

## Dimensions

(mm)

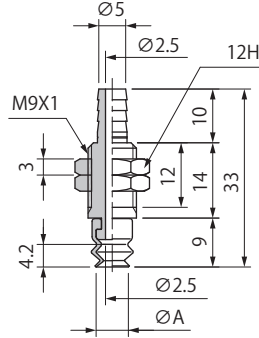
Top Port PJTK-2/4



Model number	A	B	C	Weight (g)
PJTK-2-□	2	24	4.5	8
PJTK-4-□	4	25	5.5	

※□ in the table indicates the cup material.  
 ※ The weight value is when NBR (Nitrile rubber) selected.

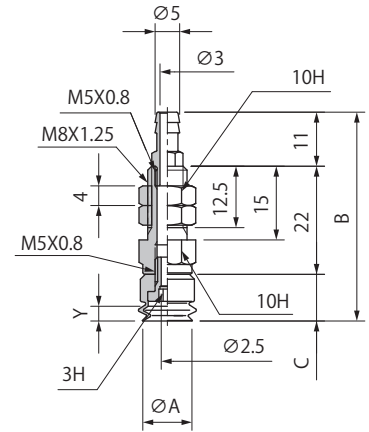
Top Port PJTK-6/8



Model number	A	Weight (g)
PJTK-6-□	6	11
PJTK-8-□	8	

※□ in the table indicates the cup material.  
 ※ The weight value is when NBR (Nitrile rubber) selected.

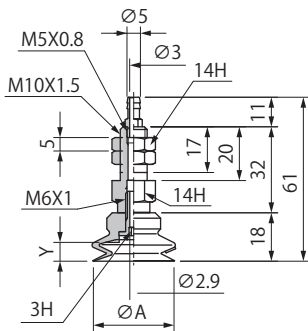
Top Port PJTK-10/15/20/25



Model number	A	B	C	Y	Weight (g)
PJTK-10-□	10	42.5	9.5	3	14
PJTK-15-□	15	44	11	4.5	15
PJTK-20-□	20	46	13	5.5	17
PJTK-25-□	25	48.5	15.5	6.5	19

※□ in the table indicates the cup material.  
 ※ The weight value is when NBR (Nitrile rubber) selected.

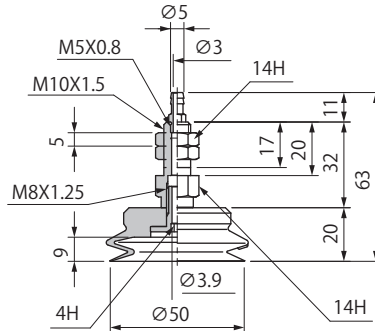
Top Port PJTK-30/35/40



Model number	A	Y	Weight (g)
PJTK-30-□	30	7	42
PJTK-35-□	35		44
PJTK-40-□	40	7.2	

※□ in the table indicates the cup material.  
 ※ The weight value is when NBR (Nitrile rubber) selected.

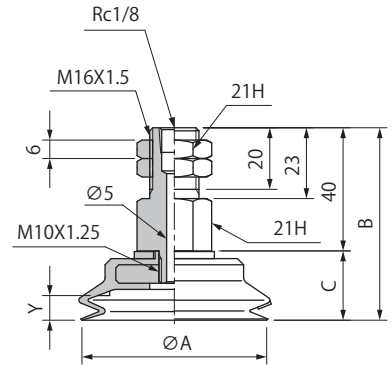
Top Port PJTK-50



Model number	Weight (g)
PJTK-50-□	58

※□ in the table indicates the cup material.  
 ※ The weight value is when NBR (Nitrile rubber) selected.

Top Port PJTK-60/70/80



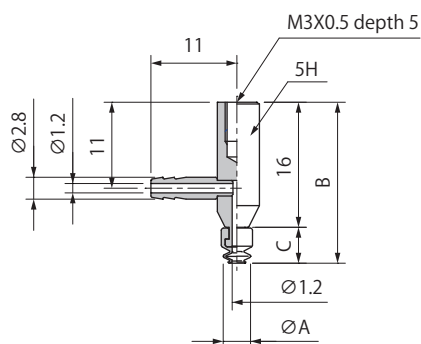
Model number	A	B	C	Y	Weight (g)
PJTK-60-□	60	62.5	22.5	8	144
PJTK-70-□	70	63.5	23.5	9.5	163
PJTK-80-□	80				190

※□ in the table indicates the cup material.  
 ※ The weight value is when NBR (Nitrile rubber) selected.

Dimensions

(mm)

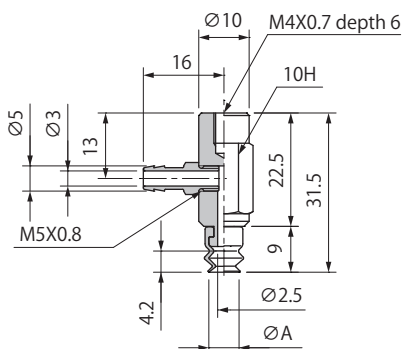
Side Port PJYK-2/4



Model number	A	B	C	Weight (g)
PJYK-2-□	2	20.5	4.5	3
PJYK-4-□	4	21.5	5.5	

※□ in the table indicates the cup material.  
 ※ The weight value is when NBR (Nitrile rubber) selected.

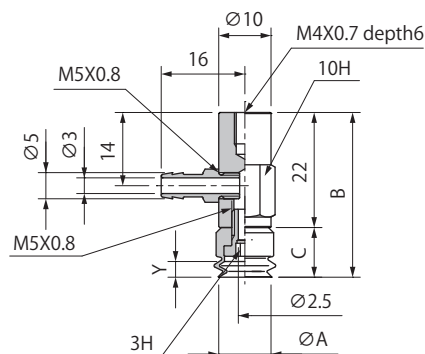
Side Port PJYK-6/8



Model number	A	Weight (g)
PJYK-6-□	6	16
PJYK-8-□	8	

※□ in the table indicates the cup material.  
 ※ The weight value is when NBR (Nitrile rubber) selected.

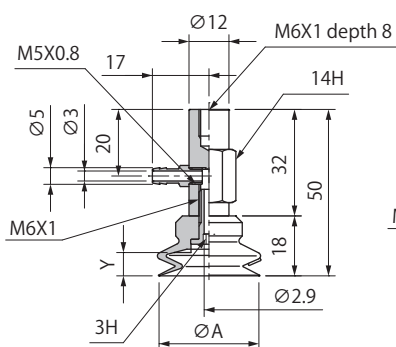
Side Port PJYK-10/15/20/25



Model number	A	B	C	Y	Weight (g)
PJYK-10-□	10	31.5	9.5	3	17
PJYK-15-□	15	33	11	4.5	18
PJYK-20-□	20	35	13	5.5	20
PJYK-25-□	25	37.5	15.5	6.5	22

※□ in the table indicates the cup material.  
 ※ The weight value is when NBR (Nitrile rubber) selected.

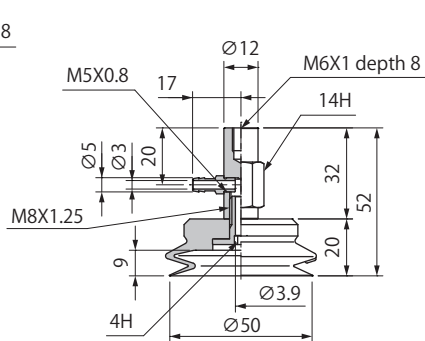
Side Port PJYK-30/35/40



Model number	A	Y	Weight (g)
PJYK-30-□	30	7	46
PJYK-35-□	35		48
PJYK-40-□	40	7.2	48

※□ in the table indicates the cup material.  
 ※ The weight value is when NBR (Nitrile rubber) selected.

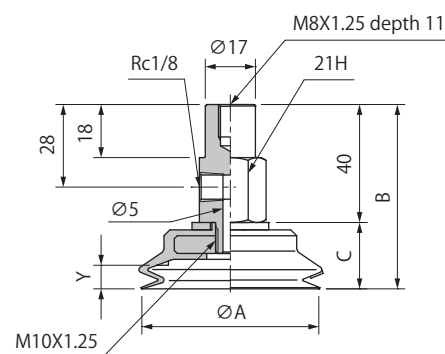
Side Port PJYK-50



Model number	Weight (g)
PJYK-50-□	62

※□ in the table indicates the cup material.  
 ※ The weight value is when NBR (Nitrile rubber) selected.

Side Port PJYK-60/70/80



Model number	A	B	C	Y	Weight (g)
PJYK-60-□	60	62.5	22.5	8	139
PJYK-70-□	70	63.5	23.5	9.5	158
PJYK-80-□	80				185

※□ in the table indicates the cup material.  
 ※ The weight value is when NBR (Nitrile rubber) selected.

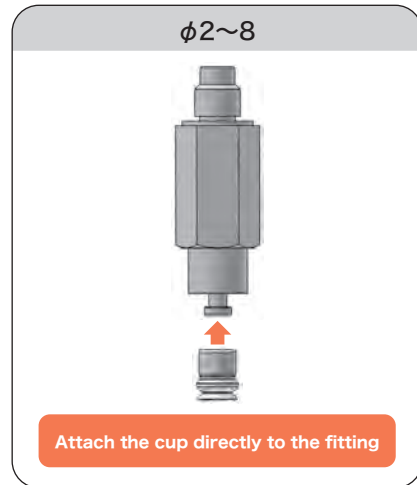
02  
Suction Cup

- PA
- PB
- PC
- PCD
- PD
- PF
- PFO
- PH
- PJ
- CORE
- PK2
- PK2B
- PK2L
- PL
- PN
- PN-B
- PP
- PQ
- PR
- PU
- PW
- RA
- SM
- TN

## PSS Cup with Compact Spring Fitting



Simple construction of the cup and the fitting.



### How to Order

PSS — L3 — PJG — 6 — N

① Stroke (mm)

Symbol	Length	Applicable cup size
S3	3	φ2, 4
L3	3	φ6, 8
S5	5	φ2, 4
L5	5	φ6, 8

② Cup Size (mm)

Symbol	Cup size
2	φ2
4	φ4
6	φ6
8	φ8

③ Cup Rubber Material

Symbol	Material
N	NBR(Nitrile rubber)
S	Silicone rubber
U	Urethane rubber
F	Fluorine rubber
NE	Conductive NBR (Nitrile rubber)
SE	Conductive silicone rubber

※Please consult with us for other material.

### Combination Table

Model number	Cup	Fitting	Piping specifications
PSS-S3-PJG-2- □	PJG-2- □	PSS-S3	M5X0.8 (Male)
PSS-S3-PJG-4- □	PJG-4- □		
PSS-S5-PJG-2- □	PJG-2- □	PSS-S5	
PSS-S5-PJG-4- □	PJG-4- □		
PSS-L3-PJG-6- □	PJG-6- □	PSS-L3	
PSS-L3-PJG-8- □	PJG-8- □		
PSS-L5-PJG-6- □	PJG-6- □	PSS-L5	
PSS-L5-PJG-8- □	PJG-8- □		

※□ in the table indicates the cup material.

### Spring Specifications

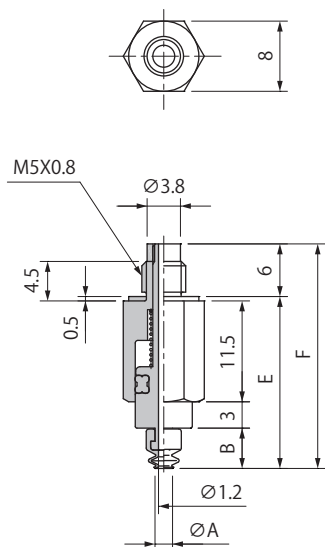
Cup size	Unit	φ2~φ8	
Stroke	mm	3	5
Spring load at 0 stroke	N	1.5	1.62
Spring load at full stroke	N	2.3	3.2
Tightening torque	N · m	0.58~0.68	

※Due to structural reason, 「lift-up」 may occur in case vacuum pressure is more than -65kPa.  
The weight of non 「lift-up」 in horizontal lifting is about over 200g.  
Screw must be tightened in recommended tightening torque, otherwise malfunction would occur.

Dimensions

(mm)

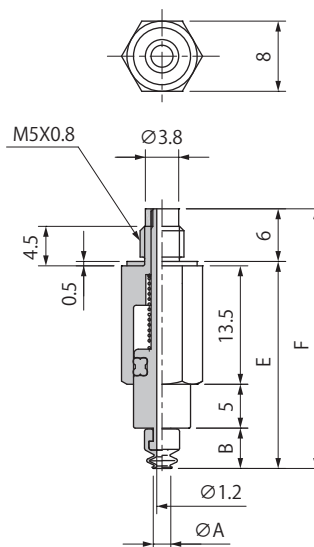
PSS-S3-2/4



Model number	A	B	E	F	Weight (g)
PSS-S3-PJG-2- □	2	4.5	19.5	25.5	3
PSS-S3-PJG-4- □	4	5.5	20.5	26.5	

※ □ in the table indicates the cup material.  
※ The weight value is when NBR (Nitrile rubber) selected.

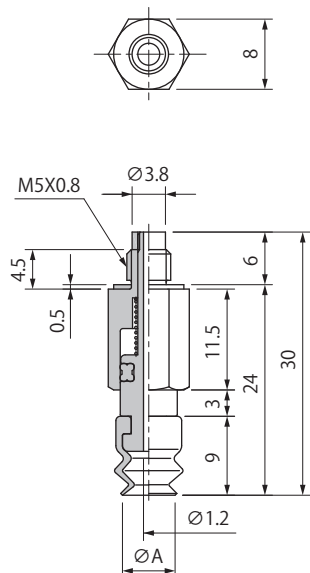
PSS-S5-2/4



Model number	A	B	E	F	Weight (g)
PSS-S5-PJG-2- □	2	4.5	23.5	29.5	3
PSS-S5-PJG-4- □	4	5.5	24.5	30.5	

※ □ in the table indicates the cup material.  
※ The weight value is when NBR (Nitrile rubber) selected.

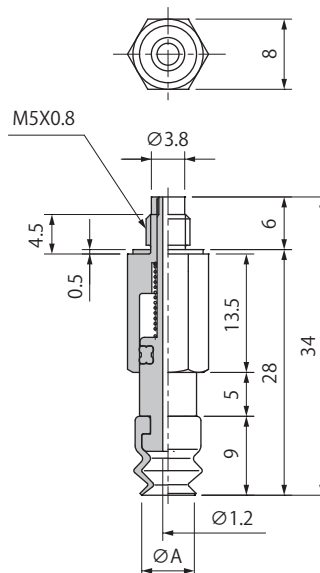
PSS-L3-6/8



Model number	A	Weight (g)
PSS-L3-PJG-6- □	6	6
PSS-L3-PJG-8- □	8	

※ □ in the table indicates the cup material.  
※ The weight value is when NBR (Nitrile rubber) selected.

PSS-L5-6/8



Model number	A	Weight (g)
PSS-L5-PJG-6- □	6	7
PSS-L5-PJG-8- □	8	

※ □ in the table indicates the cup material.  
※ The weight value is when NBR (Nitrile rubber) selected.

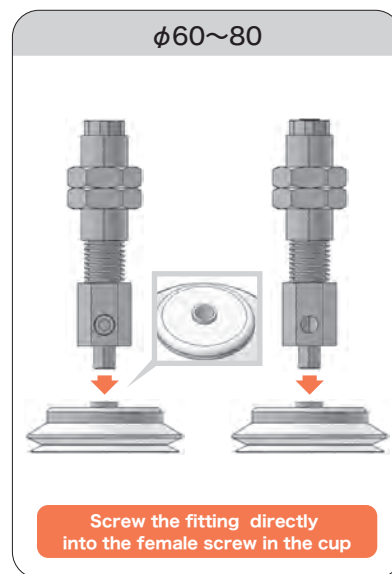
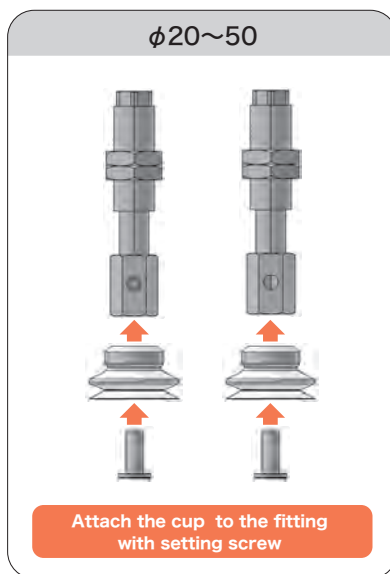
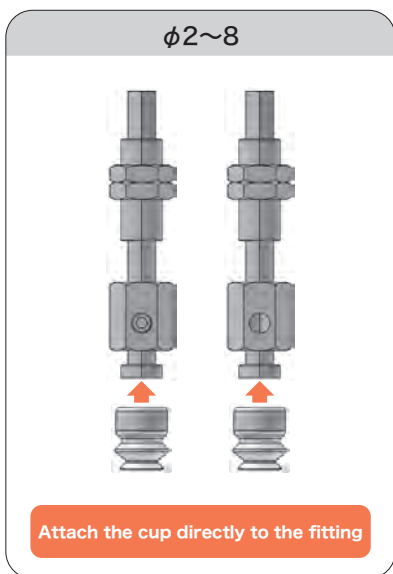


## NAPJTS·YS Cup with Spring Fitting

Suction Cup  
2 Bellows Cup



Consisting of fitting, setting screw, suction cup.



### How to Order

NAPJ **T** **S** - **6-3** - **N** - **T**

① Vacuum Port

T	Top
Y	Side

② Cup Size - Stroke (mm)

Symbol	Cup size Stroke	Symbol	Cup size Stroke	Symbol	Cup size Stroke
2-3	φ2-3	20-6	φ20-6	50-6	φ50-6
2-6	φ2-6	20-15	φ20-15	50-15	φ50-15
4-3	φ4-3	20-30	φ20-30	50-30	φ50-30
4-6	φ4-6	25-6	φ25-6	60-10	φ60-10
6-3	φ6-3	25-15	φ25-15	60-30	φ60-30
6-6	φ6-6	25-30	φ25-30	60-50	φ60-50
8-3	φ8-3	30-6	φ30-6	70-10	φ70-10
8-6	φ8-6	30-15	φ30-15	70-30	φ70-30
10-3	φ10-3	30-30	φ30-30	70-50	φ70-50
10-10	φ10-10	35-6	φ35-6	80-10	φ80-10
10-15	φ10-15	35-15	φ35-15	80-30	φ80-30
15-3	φ15-3	35-30	φ35-30	80-50	φ80-50
15-10	φ15-10	40-6	φ40-6		
15-15	φ15-15	40-15	φ40-15		
		40-30	φ40-30		

④ Connector

Blank	N/A
T	Barb
O	Push-in

※φ 60 or more can not be selected "T" and "O"

③ Cup Rubber Material

Symbol	Material
N	NBR(Nitrile rubber)
S	Silicone rubber
U	Urethane rubber
F	Fluorine rubber
NE	Conductive NBR (Nitrile rubber)
SE	Conductive silicone rubber

※Please consult with us for other material.

## Spring Specifications

Cup size	Unit	φ2, 4		φ6, 8		φ10, 15			φ20~50			φ60~80		
Stroke	mm	3	6	3	6	3	10	15	6	15	30	10	30	50
Spring load at 0 stroke	N	0.5		0.49		0.61		0.64	2.45		2.9	8.82	6.76	8.33
Spring load at full stroke	N	0.6	0.7	0.59	0.69	0.77	1.17		3.43	4.9	5.88	11.8	15.6	19.6

## Combination Table

Model number	Cup	Setting screw	Fitting	Piping specifications		
				Without connector · blank	Barb connector · T	Push-in connector · O
NAPJOS-2-3-□ (-T/O)	PJG-2-□	Attach the cup directly to the fitting	NAPFOS-1.5A-3-K (-T/O)	M3X0.5 (Female)	φ 4X2.5	
NAPJOS-2-6-□ (-T/O)			NAPFOS-1.5A-6-K (-T/O)			
NAPJOS-4-3-□ (-T/O)			PJG-4-□			NAPFOS-1.5A-3-K (-T/O)
NAPJOS-4-6-□ (-T/O)	NAPFOS-1.5A-6-K (-T/O)					
NAPJOS-6-3-□ (-T/O)	PJG-6-□					NAPFOS-5A-3-K (-T/O)
NAPJOS-6-6-□ (-T/O)			NAPFOS-5A-6-K (-T/O)			
NAPJOS-8-3-□ (-T/O)			PJG-8-□			NAPFOS-5A-3-K (-T/O)
NAPJOS-8-6-□ (-T/O)	NAPFOS-5A-6-K (-T/O)					
NAPJOS-10-3-□ (-T/O)	PJG-10-□					NAPCOS-10-3-K (-T/O)
NAPJOS-10-10-□ (-T/O)		NAPCOS-10-10-K (-T/O)				
NAPJOS-10-15-□ (-T/O)		TN-PF-15-M5	NAPCOS-10-15-K (-T/O)			
NAPJOS-15-3-□ (-T/O)			NAPCOS-10-3-K (-T/O)			
NAPJOS-15-10-□ (-T/O)			NAPCOS-10-10-K (-T/O)			
NAPJOS-15-15-□ (-T/O)		PJG-15-□	NAPCOS-10-15-K (-T/O)			
NAPJOS-20-6-□ (-T/O)	TN-PF-20-M5		NAPBOS-20-6-K (-T/O)			
NAPJOS-20-15-□ (-T/O)			NAPBOS-20-15-K (-T/O)			
NAPJOS-20-30-□ (-T/O)		NAPBOS-20-30-K (-T/O)				
NAPJOS-25-6-□ (-T/O)		PJG-25-□	NAPBOS-20-6-K (-T/O)			
NAPJOS-25-15-□ (-T/O)			NAPBOS-20-15-K (-T/O)			
NAPJOS-25-30-□ (-T/O)			NAPBOS-20-30-K (-T/O)			
NAPJOS-30-6-□ (-T/O)	PJG-30-□	NAPFOS-20B-6-K (-T/O)				
NAPJOS-30-15-□ (-T/O)		NAPFOS-20B-15-K (-T/O)				
NAPJOS-30-30-□ (-T/O)		NAPFOS-20B-30-K (-T/O)				
NAPJOS-35-6-□ (-T/O)	PJG-35-□	NAPFOS-20B-6-K (-T/O)				
NAPJOS-35-15-□ (-T/O)		NAPFOS-20B-15-K (-T/O)				
NAPJOS-35-30-□ (-T/O)		NAPFOS-20B-30-K (-T/O)				
NAPJOS-40-6-□ (-T/O)	PJG-40-□	NAPFOS-20B-6-K (-T/O)				
NAPJOS-40-15-□ (-T/O)		NAPFOS-20B-15-K (-T/O)				
NAPJOS-40-30-□ (-T/O)		NAPFOS-20B-30-K (-T/O)				
NAPJOS-50-6-□ (-T/O)	PJG-50-□	NAPFOS-20B-6-K (-T/O)				
NAPJOS-50-15-□ (-T/O)		NAPFOS-20B-15-K (-T/O)				
NAPJOS-50-30-□ (-T/O)		NAPFOS-20B-30-K (-T/O)				
NAPJOS-60-10-□	PJG-60-□	NAPFOS-60-10-K	Rc1/8 (Female)	-		
NAPJOS-60-30-□		NAPFOS-60-30-K				
NAPJOS-60-50-□		NAPFOS-60-50-K				
NAPJOS-70-10-□	PJG-70-□	NAPFOS-60-10-K				
NAPJOS-70-30-□		NAPFOS-60-30-K				
NAPJOS-70-50-□		NAPFOS-60-50-K				
NAPJOS-80-10-□	PJG-80-□	NAPFOS-60-10-K				
NAPJOS-80-30-□		NAPFOS-60-30-K				
NAPJOS-80-50-□		NAPFOS-60-50-K				

※□ in the table indicates the cup material.

※○ in the table indicates the vacuum port (T or Y).

※ The mounting torque of the H8 nut for NAPFOS-5A-3/6-K (-T/O) should be 2.0 N · m or less.

02

Suction Cup

PA

PB

PC

PCD

PD

PF

PFO

PH

PJ

CORE

PK2

PK2B

PK2L

PL

PN

PN-B

PP

PQ

PR

PU

PW

RA

SM

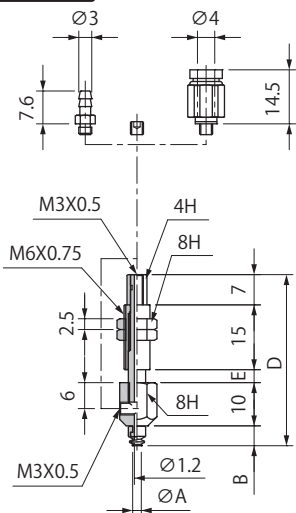
TN

# NAPJTS·YS Cup with Spring Fitting

## Dimensions

(mm)

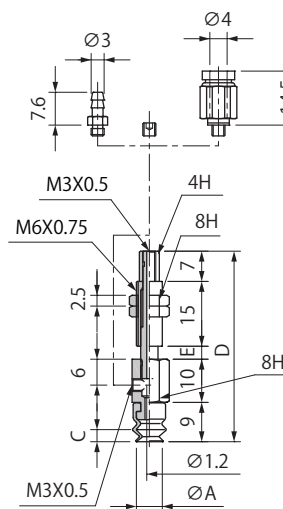
**NAPJT/YS-2/4**



Model number	A	B	D	E	Weight (g)
NAPJT/YS-2-3-□ (-T/O)	2	4.5	39.5	3	6
NAPJT/YS-2-6-□ (-T/O)			42.5	6	
NAPJT/YS-4-3-□ (-T/O)	4	5.5	40.5	3	
NAPJT/YS-4-6-□ (-T/O)			43.5	6	

※□ in the table indicates the cup material.  
 ※ The weight value is when NBR (Nitrile rubber) / without connector selected.

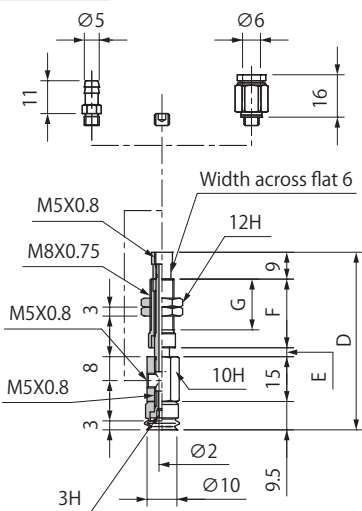
**NAPJT/YS-6/8**



Model number	A	C	D	E	Weight (g)
NAPJT/YS-6-3-□ (-T/O)	6	4.2	44	3	7
NAPJT/YS-6-6-□ (-T/O)			47	6	
NAPJT/YS-8-3-□ (-T/O)	8	4	44	3	
NAPJT/YS-8-6-□ (-T/O)			47	6	

※□ in the table indicates the cup material.  
 ※ The weight value is when NBR (Nitrile rubber) / without connector selected.

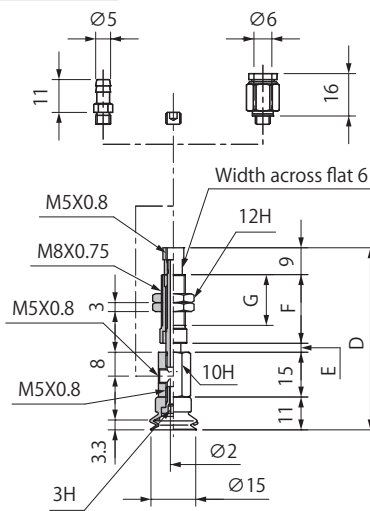
**NAPJT/YS-10**



Model number	D	E	F	G	Weight (g)
NAPJT/YS-10-3-□ (-T/O)	59.5	3	23	17	30.5
NAPJT/YS-10-10-□ (-T/O)	66.5	10			31
NAPJT/YS-10-15-□ (-T/O)	79	15	30.5	24.5	33.5

※□ in the table indicates the cup material.  
 ※ The weight value is when NBR (Nitrile rubber) / without connector selected.

**NAPJT/YS-15**



Model number	D	E	F	G	Weight (g)
NAPJT/YS-15-3-□ (-T/O)	61	3	23	17	31.5
NAPJT/YS-15-10-□ (-T/O)	68	10			32
NAPJT/YS-15-15-□ (-T/O)	80.5	15	30.5	24.5	34.5

※□ in the table indicates the cup material.  
 ※ The weight value is when NBR (Nitrile rubber) / without connector selected.

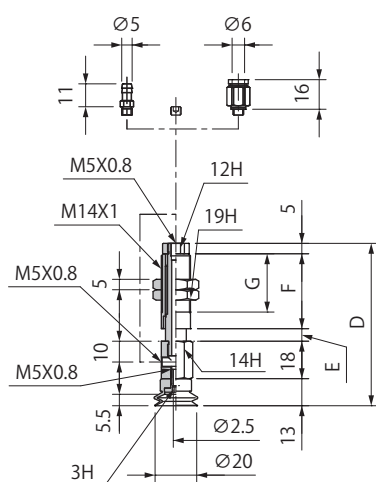
## Common Specifications

Symbol	Connector Weight(g)	
	Tube O.D φ 4	Tube O.D φ 6
T	0.5	1.5
O	3.0	4.0

## Dimensions

(mm)

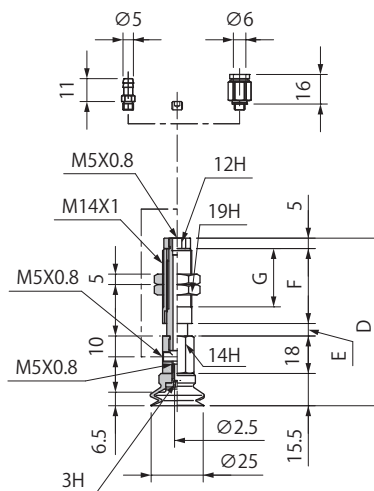
### NAPJT/YS-20



Model number	D	E	F	G	Weight (g)
NAPJT/YS-20-6-□ (-T/O)	78	6	36	28	66
NAPJT/YS-20-15-□ (-T/O)	87	15			71
NAPJT/YS-20-30-□ (-T/O)	124	30	58	50	96

※□ in the table indicates the cup material.  
 ※ The weight value is when NBR (Nitrile rubber) / without connector selected.

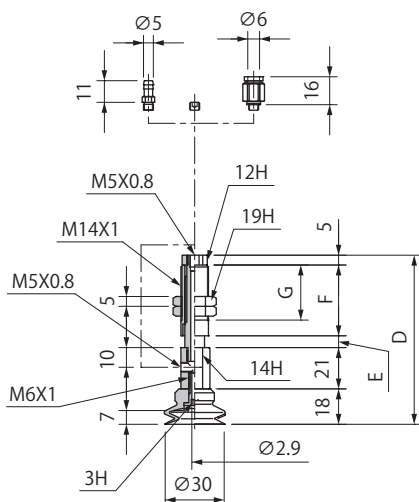
### NAPJT/YS-25



Model number	D	E	F	G	Weight (g)
NAPJT/YS-25-6-□ (-T/O)	80.5	6	36	28	68
NAPJT/YS-25-15-□ (-T/O)	89.5	15			73
NAPJT/YS-25-30-□ (-T/O)	126.5	30	58	50	98

※□ in the table indicates the cup material.  
 ※ The weight value is when NBR (Nitrile rubber) / without connector selected.

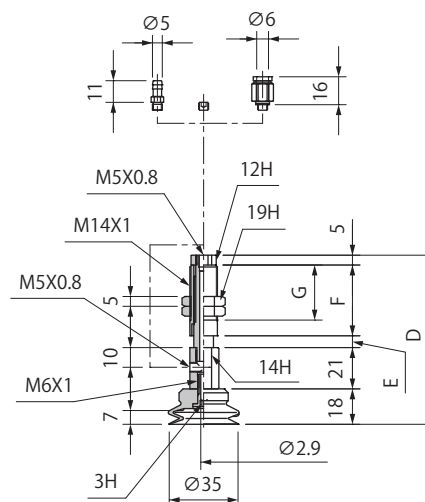
### NAPJT/YS-30



Model number	D	E	F	G	Weight (g)
NAPJT/YS-30-6-□ (-T/O)	86	6	36	28	69
NAPJT/YS-30-15-□ (-T/O)	95	15			74
NAPJT/YS-30-30-□ (-T/O)	132	30	58	50	99

※□ in the table indicates the cup material.  
 ※ The weight value is when NBR (Nitrile rubber) / without connector selected.

### NAPJT/YS-35



Model number	D	E	F	G	Weight (g)
NAPJT/YS-35-6-□ (-T/O)	86	6	36	28	71.5
NAPJT/YS-35-15-□ (-T/O)	95	15			76.5
NAPJT/YS-35-30-□ (-T/O)	132	30	58	50	101.5

※□ in the table indicates the cup material.  
 ※ The weight value is when NBR (Nitrile rubber) / without connector selected.

## Common Specifications

Connector Weight(g)

Symbol	Tube O.D φ 6
T	1.5
O	4.0

## 02

Suction Cup

PA

PB

PC

PCD

PD

PF

PFO

PH

PJ

CORE

PK2

PK2B

PK2L

PL

PN

PN-B

PP

PQ

PR

PU

PW

RA

SM

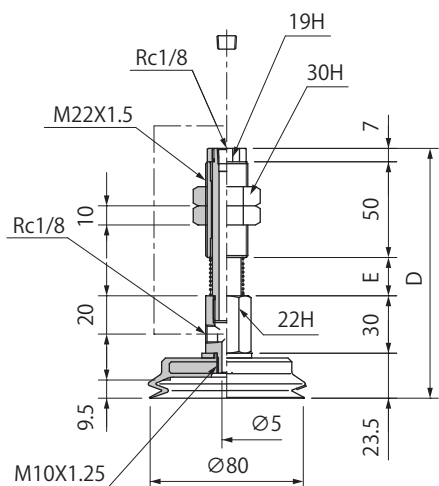
TN



## Dimensions

(mm)

### NAPJT/YS-80



Model number	D	E	Weight (g)
NAPJT/YS-80-10- □	130.5	20	338
NAPJT/YS-80-30- □	160.5	50	372
NAPJT/YS-80-50- □	185.5	75	399

※□ in the table indicates the cup material.  
 ※ The weight value is when NBR (Nitrile rubber) selected.

## 02

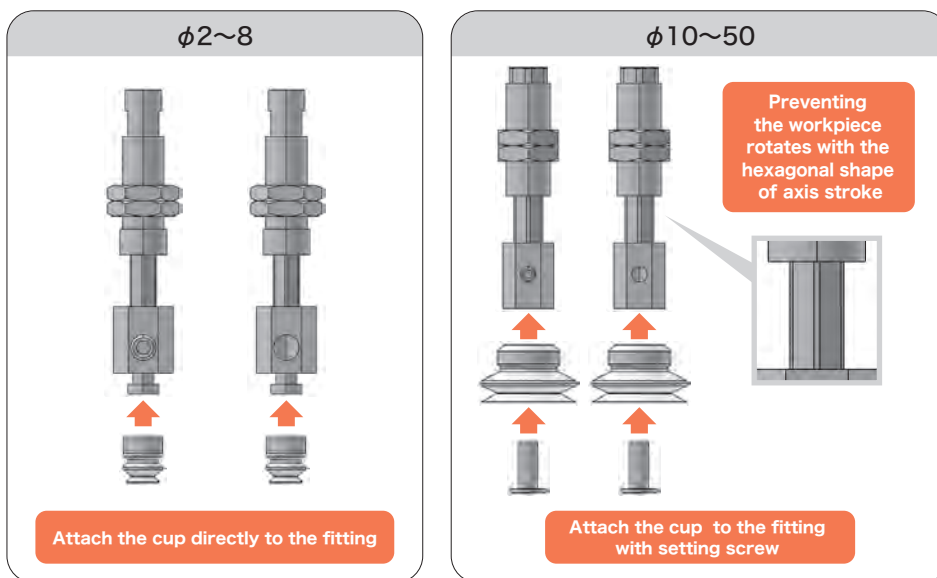
Suction Cup

- PA
- PB
- PC
- PCD
- PD
- PF
- PFO
- PH
- PJ**
- CORE
- PK2
- PK2B
- PK2L
- PL
- PN
- PN-B
- PP
- PQ
- PR
- PU
- PW
- RA
- SM
- TN

## NAPJTH·YH Cup with Non-rotation Spring Fitting



Consisting of fitting, setting screw, suction cup.



### How to Order

**NAPJ T H - 6-3 - N - T**

① Vacuum Port

T	Top
Y	Side

② Cup Size - Stroke (mm)

Symbol	Cup size Stroke	Symbol	Cup size Stroke	Symbol	Cup size Stroke
2-3	φ2-3	15-3	φ 15-3	35-6	φ 35-6
2-10	φ2-10	15-10	φ 15-10	35-15	φ 35-15
2-15	φ2-15	15-15	φ 15-15	35-30	φ 35-30
4-3	φ4-3	20-6	φ 20-6	40-6	φ 40-6
4-10	φ4-10	20-15	φ 20-15	40-15	φ 40-15
4-15	φ4-15	20-30	φ 20-30	40-30	φ 40-30
6-3	φ6-3	25-6	φ 25-6	50-6	φ 50-6
6-10	φ6-10	25-15	φ 25-15	50-15	φ 50-15
6-15	φ6-15	25-30	φ 25-30	50-30	φ 50-30
8-3	φ8-3	30-6	φ 30-6		
8-10	φ8-10	30-15	φ 30-15		
8-15	φ8-15	30-30	φ 30-30		
10-3	φ10-3				
10-10	φ10-10				
10-15	φ10-15				

③ Cup Rubber Material

Symbol	Material
N	NBR(Nitrile rubber)
S	Silicone rubber
U	Urethane rubber
F	Fluorine rubber
NE	Conductive NBR (Nitrile rubber)
SE	Conductive silicone rubber

※Please consult with us for other material.

④ Connector

Blank	N/A
T	Barb
O	Push-in

## Spring Specifications

Cup size	Unit	φ2, 4			φ6~15			φ20~50		
Stroke	mm	3	10	15	3	10	15	6	15	30
Spring load at 0 stroke	N	0.3	0.5	0.3	0.61		0.64	2.45		2.9
Spring load at full stroke	N	0.4	0.8		0.77	1.17		3.43	4.9	5.88

## Combination Table

Model number	Cup	Setting screw	Fitting	Piping specifications		
				Without connector · Blank	Barb connector · T	Push-in connector · O
NAPJ○H-2-3-□ (-T/O)	PJG-2-□	Attach the cup directly to the fitting	NAPF○H-1.5A-3-K (-T/O)	M3X0.5 (Female)	φ 4 X 2.5	
NAPJ○H-2-10-□ (-T/O)			NAPF○H-1.5A-10-K (-T/O)			
NAPJ○H-2-15-□ (-T/O)			NAPF○H-1.5A-15-K (-T/O)			
NAPJ○H-4-3-□ (-T/O)	PJG-4-□		NAPF○H-1.5A-3-K (-T/O)			
NAPJ○H-4-10-□ (-T/O)			NAPF○H-1.5A-10-K (-T/O)			
NAPJ○H-4-15-□ (-T/O)			NAPF○H-1.5A-15-K (-T/O)			
NAPJ○H-6-3-□ (-T/O)	PJG-6-□		NAPF○H-5A-3-K (-T/O)	M5X0.8 (Female)	φ 6 X 4	
NAPJ○H-6-10-□ (-T/O)			NAPF○H-5A-10-K (-T/O)			
NAPJ○H-6-15-□ (-T/O)			NAPF○H-5A-15-K (-T/O)			
NAPJ○H-8-3-□ (-T/O)	PJG-8-□		NAPF○H-5A-3-K (-T/O)			
NAPJ○H-8-10-□ (-T/O)			NAPF○H-5A-10-K (-T/O)			
NAPJ○H-8-15-□ (-T/O)			NAPF○H-5A-15-K (-T/O)			
NAPJ○H-10-3-□ (-T/O)	PJG-10-□	TN-PF-15-M5	NAPC○H-10-3-K (-T/O)			
NAPJ○H-10-10-□ (-T/O)			NAPC○H-10-10-K (-T/O)			
NAPJ○H-10-15-□ (-T/O)			NAPC○H-10-15-K (-T/O)			
NAPJ○H-15-3-□ (-T/O)	PJG-15-□		NAPC○H-10-3-K (-T/O)			
NAPJ○H-15-10-□ (-T/O)			NAPC○H-10-10-K (-T/O)			
NAPJ○H-15-15-□ (-T/O)			NAPC○H-10-15-K (-T/O)			
NAPJ○H-20-6-□ (-T/O)	PJG-20-□	TN-PF-20-M5	NAPB○H-20-6-K (-T/O)			
NAPJ○H-20-15-□ (-T/O)			NAPB○H-20-15-K (-T/O)			
NAPJ○H-20-30-□ (-T/O)			NAPB○H-20-30-K (-T/O)			
NAPJ○H-25-6-□ (-T/O)	PJG-25-□		NAPB○H-20-6-K (-T/O)			
NAPJ○H-25-15-□ (-T/O)			NAPB○H-20-15-K (-T/O)			
NAPJ○H-25-30-□ (-T/O)			NAPB○H-20-30-K (-T/O)			
NAPJ○H-30-6-□ (-T/O)	PJG-30-□	TN-PF-25-M6	NAPF○H-20B-6-K (-T/O)			
NAPJ○H-30-15-□ (-T/O)			NAPF○H-20B-15-K (-T/O)			
NAPJ○H-30-30-□ (-T/O)			NAPF○H-20B-30-K (-T/O)			
NAPJ○H-35-6-□ (-T/O)	PJG-35-□		NAPF○H-20B-6-K (-T/O)			
NAPJ○H-35-15-□ (-T/O)			NAPF○H-20B-15-K (-T/O)			
NAPJ○H-35-30-□ (-T/O)			NAPF○H-20B-30-K (-T/O)			
NAPJ○H-40-6-□ (-T/O)	PJG-40-□	NAPF○H-20B-6-K (-T/O)				
NAPJ○H-40-15-□ (-T/O)		NAPF○H-20B-15-K (-T/O)				
NAPJ○H-40-30-□ (-T/O)		NAPF○H-20B-30-K (-T/O)				
NAPJ○H-50-6-□ (-T/O)	PJG-50-□	TN-PF-50-M6	NAPF○H-20B-6-K (-T/O)			
NAPJ○H-50-15-□ (-T/O)			NAPF○H-20B-15-K (-T/O)			
NAPJ○H-50-30-□ (-T/O)			NAPF○H-20B-30-K (-T/O)			

※□ in the table indicates the cup material.

※○ in the table indicates the vacuum port (T or Y).

02

Suction Cup

PA

PB

PC

PCD

PD

PF

PFO

PH

PJ

CORE

PK2

PK2B

PK2L

PL

PN

PN-B

PP

PQ

PR

PU

PW

RA

SM

TN

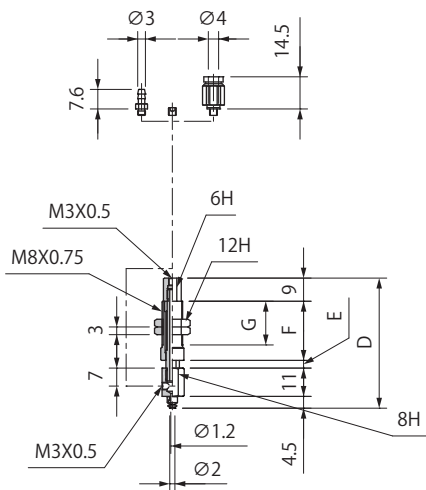


# NAPJTH·YH Cup with Non-rotation Spring Fitting

## Dimensions

(mm)

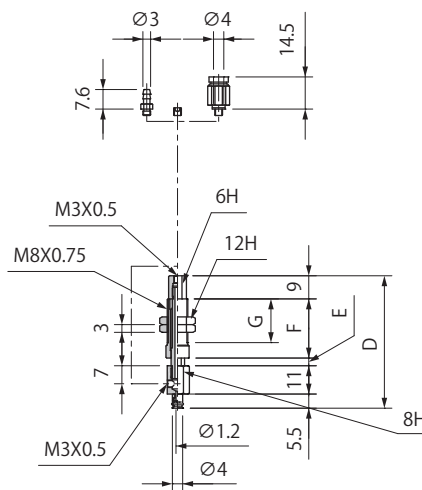
NAPJT/YH-2



Model number	D	E	F	G	Weight(g)
NAPJT/YH-2-3-□ (-T/O)	50.5	3	23	17	16
NAPJT/YH-2-10-□ (-T/O)	57.5	10			17
NAPJT/YH-2-15-□ (-T/O)	70.5	15	31	25	20

※□ in the table indicates the cup material.  
 ※ The weight value is when NBR (Nitrile rubber) / without connector selected.

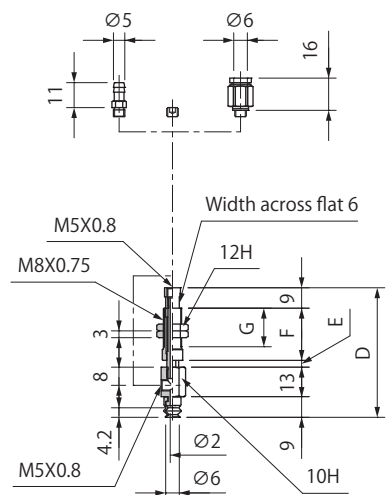
NAPJT/YH-4



Model number	D	E	F	G	Weight(g)
NAPJT/YH-4-3-□ (-T/O)	51.5	3	23	17	16
NAPJT/YH-4-10-□ (-T/O)	58.5	10			17
NAPJT/YH-4-15-□ (-T/O)	71.5	15	31	25	20

※□ in the table indicates the cup material.  
 ※ The weight value is when NBR (Nitrile rubber) / without connector selected.

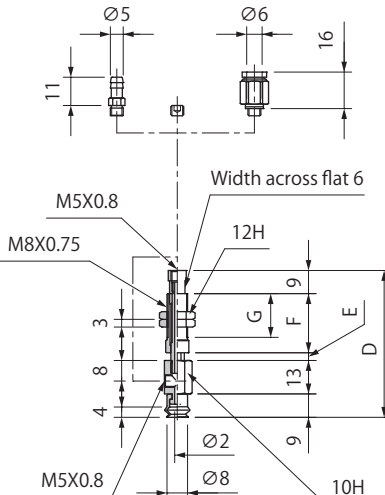
NAPJT/YH-6



Model number	D	E	F	G	Weight(g)
NAPJT/YH-6-3-□ (-T/O)	57	3	23	17	18.5
NAPJT/YH-6-10-□ (-T/O)	64	10			19
NAPJT/YH-6-15-□ (-T/O)	76.5	15	30.5	24.5	22

※□ in the table indicates the cup material.  
 ※ The weight value is when NBR (Nitrile rubber) / without connector selected.

NAPJT/YH-8



Model number	D	E	F	G	Weight(g)
NAPJT/YH-8-3-□ (-T/O)	57	3	23	17	18.5
NAPJT/YH-8-10-□ (-T/O)	64	10			19
NAPJT/YH-8-15-□ (-T/O)	76.5	15	30.5	24.5	22

※□ in the table indicates the cup material.  
 ※ The weight value is when NBR (Nitrile rubber) / without connector selected.

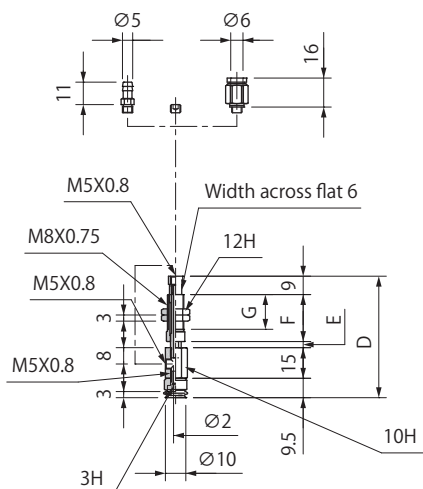
## Common Specifications

Symbol	Connector Weight(g)	
	Tube O.D φ 4	Tube O.D φ 6
T	0.5	1.5
O	3.0	4.0

## Dimensions

(mm)

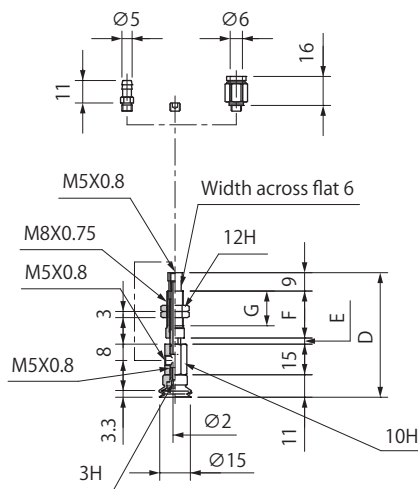
### NAPJT/YH-10



Model number	D	E	F	G	Weight(g)
NAPJT/YH-10-3-□ (-T/O)	59.5	3	23	17	31
NAPJT/YH-10-10-□ (-T/O)	66.5	10			31.5
NAPJT/YH-10-15-□ (-T/O)	79	15	30.5	24.5	34.5

※□ in the table indicates the cup material.  
 ※ The weight value is when NBR (Nitrile rubber) / without connector selected.

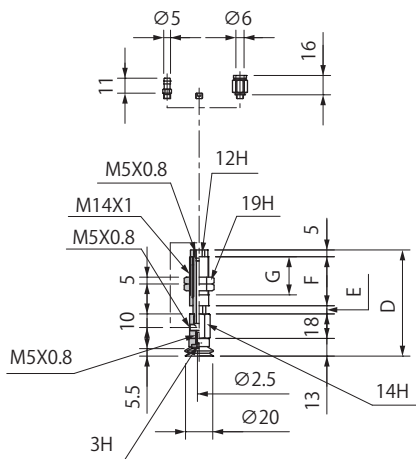
### NAPJT/YH-15



Model number	D	E	F	G	Weight(g)
NAPJT/YH-15-3-□ (-T/O)	61	3	23	17	32
NAPJT/YH-15-10-□ (-T/O)	68	10			32.5
NAPJT/YH-15-15-□ (-T/O)	80.5	15	30.5	24.5	35.5

※□ in the table indicates the cup material.  
 ※ The weight value is when NBR (Nitrile rubber) / without connector selected.

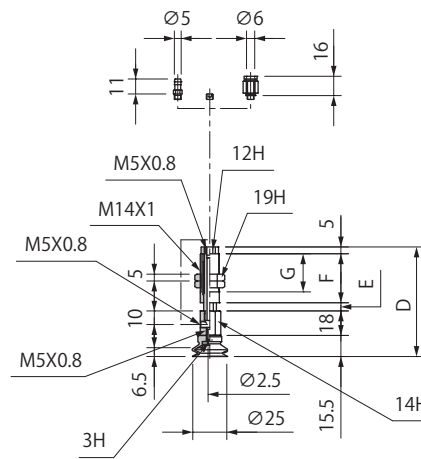
### NAPJT/YH-20



Model number	D	E	F	G	Weight(g)
NAPJT/YH-20-6-□ (-T/O)	78	6	36	28	64.5
NAPJT/YH-20-15-□ (-T/O)	87	15			69.5
NAPJT/YH-20-30-□ (-T/O)	124	30	58	50	93.5

※□ in the table indicates the cup material.  
 ※ The weight value is when NBR (Nitrile rubber) / without connector selected.

### NAPJT/YH-25



Model number	D	E	F	G	Weight(g)
NAPJT/YH-25-6-□ (-T/O)	80.5	6	36	28	66
NAPJT/YH-25-15-□ (-T/O)	89.5	15			71
NAPJT/YH-25-30-□ (-T/O)	126.5	30	58	50	95

※□ in the table indicates the cup material.  
 ※ The weight value is when NBR (Nitrile rubber) / without connector selected.

## Common Specifications

Connector Weight(g)

Symbol	Tube O.D φ 6
T	1.5
O	4.0

## 02

Suction Cup

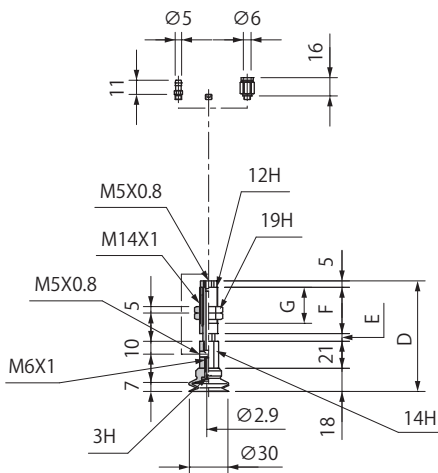
- PA
- PB
- PC
- PCD
- PD
- PF
- PFO
- PH
- PJ**
- CORE
- PK2
- PK2B
- PK2L
- PL
- PN
- PN-B
- PP
- PQ
- PR
- PU
- PW
- RA
- SM
- TN

# NAPJTH·YH Cup with Non-rotation Spring Fitting

## Dimensions

(mm)

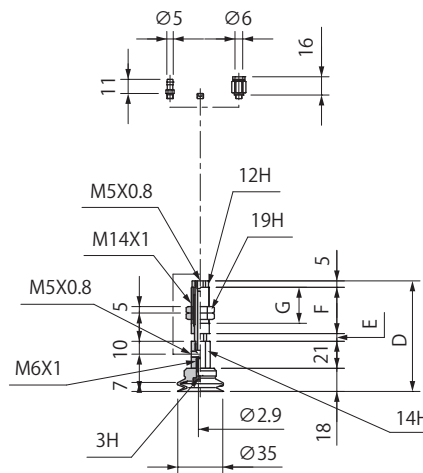
### NAPJT/YH-30



Model number	D	E	F	G	Weight(g)
NAPJT/YH-30-6-□ (-T/O)	86	6	36	28	67.5
NAPJT/YH-30-15-□ (-T/O)	95	15			72.5
NAPJT/YH-30-30-□ (-T/O)	132	30	58	50	96.5

※□ in the table indicates the cup material.  
 ※ The weight value is when NBR (Nitrile rubber) / without connector selected.

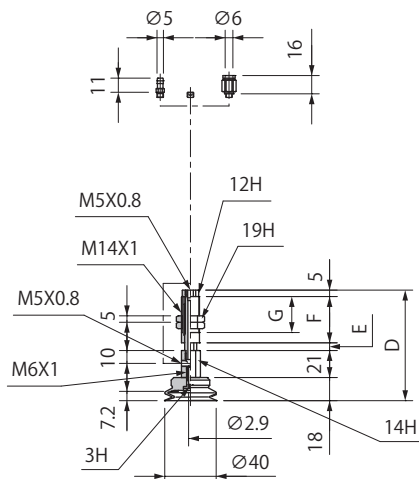
### NAPJT/YH-35



Model number	D	E	F	G	Weight(g)
NAPJT/YH-35-6-□ (-T/O)	86	6	36	28	70
NAPJT/YH-35-15-□ (-T/O)	95	15			75
NAPJT/YH-35-30-□ (-T/O)	132	30	58	50	99

※□ in the table indicates the cup material.  
 ※ The weight value is when NBR (Nitrile rubber) / without connector selected.

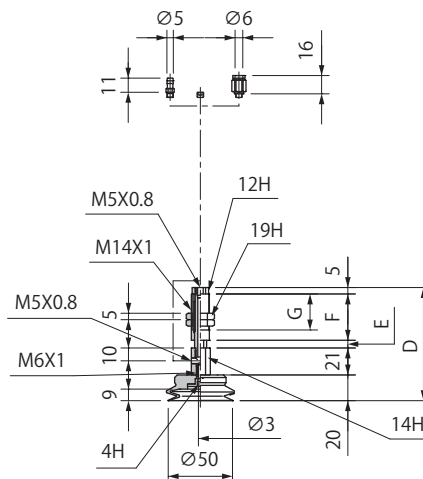
### NAPJT/YH-40



Model number	D	E	F	G	Weight(g)
NAPJT/YH-40-6-□ (-T/O)	86	6	36	28	72
NAPJT/YH-40-15-□ (-T/O)	95	15			77
NAPJT/YH-40-30-□ (-T/O)	132	30	58	50	101

※□ in the table indicates the cup material.  
 ※ The weight value is when NBR (Nitrile rubber) / without connector selected.

### NAPJT/YH-50



Model number	D	E	F	G	Weight(g)
NAPJT/YH-50-6-□ (-T/O)	88	6	36	28	87.5
NAPJT/YH-50-15-□ (-T/O)	97	15			92.5
NAPJT/YH-50-30-□ (-T/O)	134	30	58	50	116.5

※□ in the table indicates the cup material.  
 ※ The weight value is when NBR (Nitrile rubber) / without connector selected.

## Common Specifications

Connector Weight(g)

Symbol	Tube O.D φ 6
T	1.5
O	4.0

## 02

Suction Cup

PA

PB

PC

PCD

PD

PF

PFO

PH

## PJ

CORE

PK2

PK2B

PK2L

PL

PN

PN-B

PP

PQ

PR

PU

PW

RA

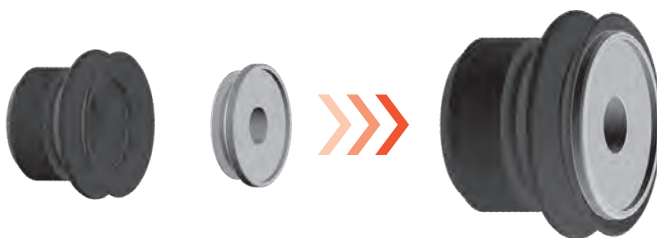
SM

TN

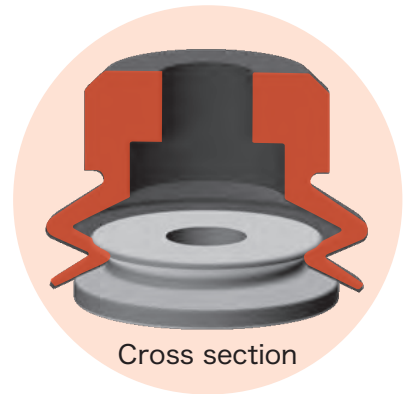
## CORE Mark Free Core for PJG Cup



**Attachment for PJG cup**  
Besides being mark free it also prevents deformation of thin work pieces and adhesion!



**One touch mounting !**  
Easily mounting to the bellows part of cup (PJG series)



The material can be selected from PEEK, POM, SUS.

### How to Order

CORE — 06 — S3

①

②

#### ① Applicable Cup Size

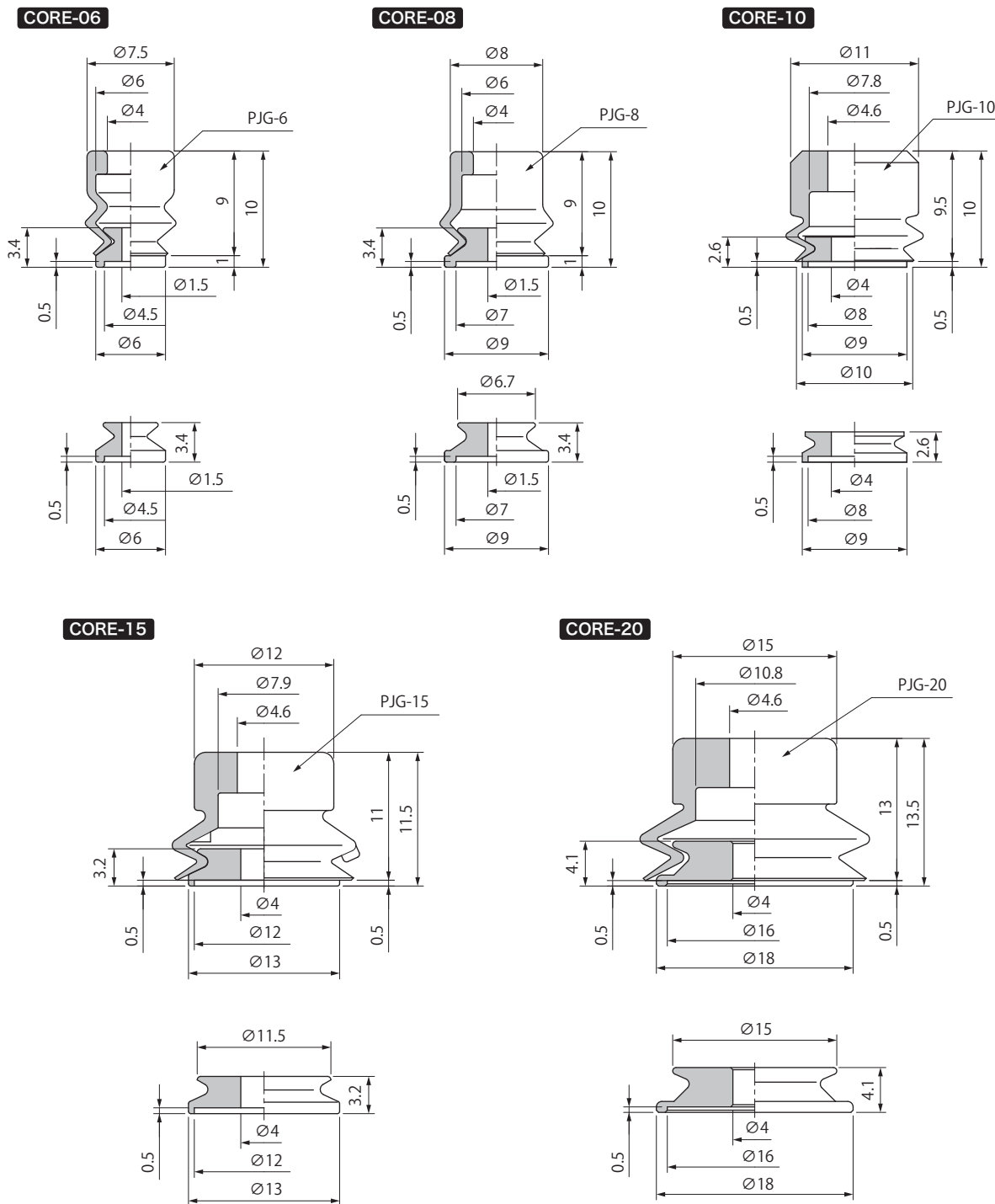
Symbol	Applicable cup size	Symbol	Applicable cup size
06	PJG-6	35	PJG-35
08	PJG-8	40	PJG-40
10	PJG-10	50	PJG-50
15	PJG-15	60	PJG-60
20	PJG-20	70	PJG-70
25	PJG-25	80	PJG-80
30	PJG-30		

#### ② Material

Symbol	Material
S3	SUS303
PO	POM
PE	PEEK

Dimensions

(mm)



Weight

(g)

Model \ Material	S3	PO	PE
CORE-06	0.4	0.1	0.1
CORE-08	0.9	0.2	0.1
CORE-10	0.7	0.1	0.1
CORE-15	1.9	0.3	0.3
CORE-20	4.3	0.8	0.7

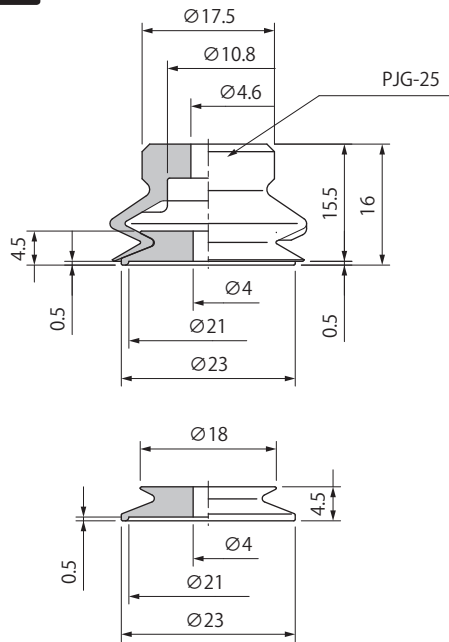
Symbol	Material
S3	SUS303
PO	POM
PE	PEEK

# CORE Mark Free Core for PJG Cup

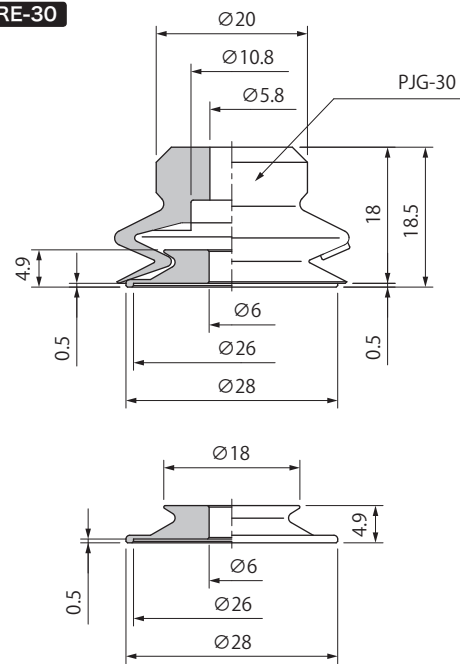
## Dimensions

(mm)

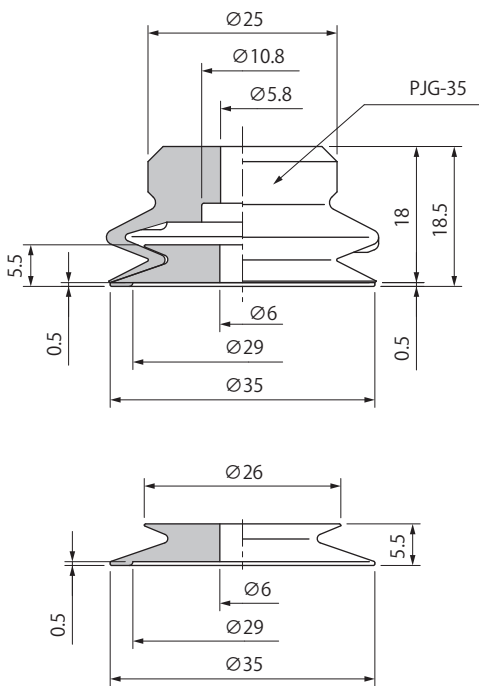
**CORE-25**



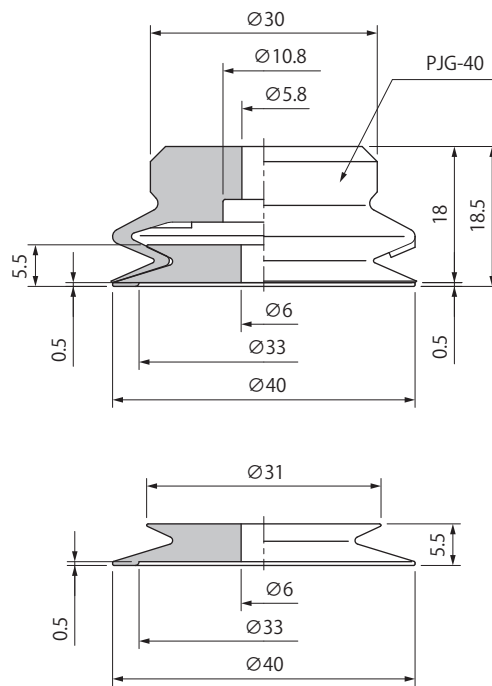
**CORE-30**



**CORE-35**



**CORE-40**



## Weight

(g)

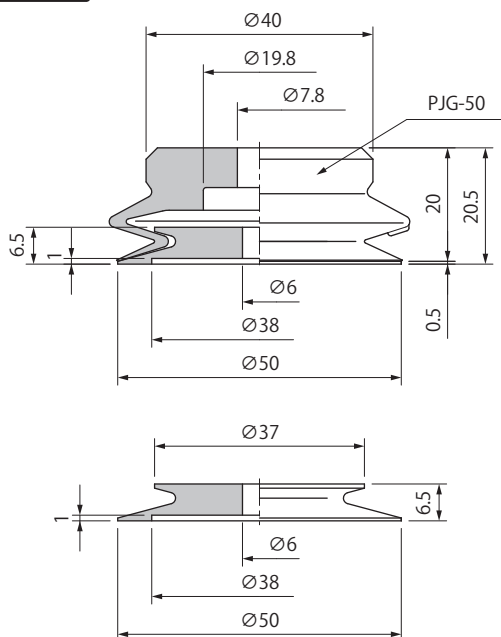
Model \ Material	S3	PO	PE
CORE-25	7.9	1.4	1.3
CORE-30	9.0	1.6	1.5
CORE-35	19.9	3.5	3.3
CORE-40	28.1	5.0	4.7

Symbol	Material
S3	SUS303
PO	POM
PE	PEEK

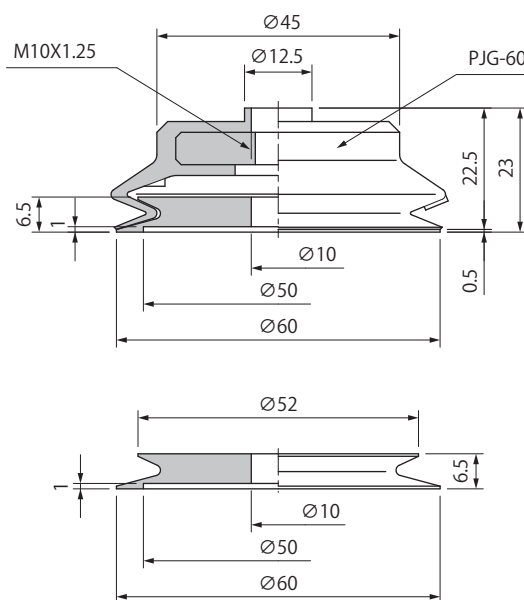
### Dimensions

(mm)

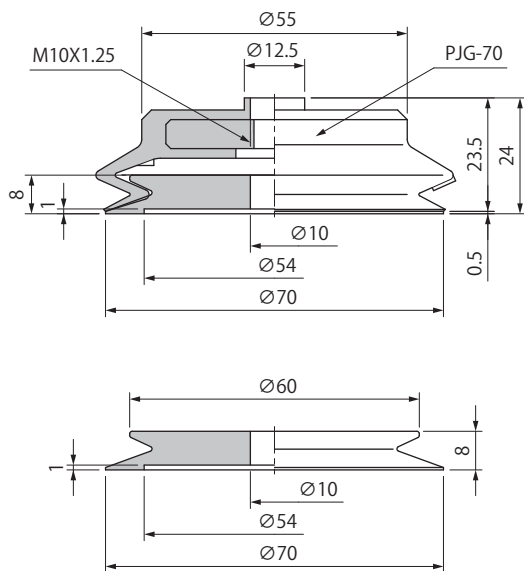
**CORE-50**



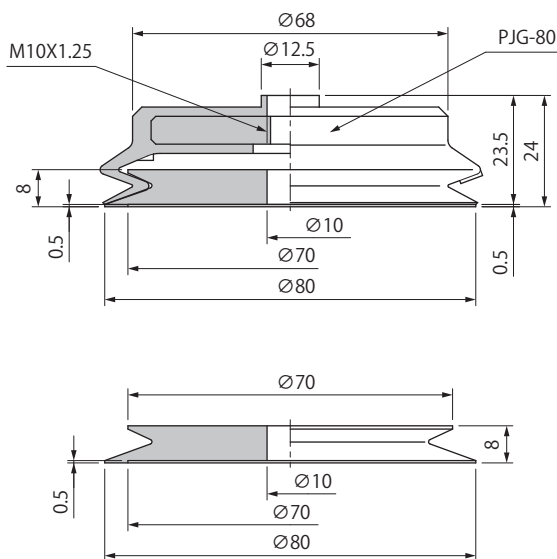
**CORE-60**



**CORE-70**



**CORE-80**



### Weight

(g)

Model \ Material	S3	PO	PE
CORE-50	46.9	8.3	7.8
CORE-60	81.6	14.5	13.6
CORE-70	151.1	26.9	25.2
CORE-80	213.2	37.9	35.5

Symbol	Material
S3	SUS303
PO	POM
PE	PEEK